

INSTALLATION MANUAL **INSTALLATIONSHANDBUCH**

Ballast system in east and west direction
Ballastsystem in ost- und westrichtung

Notes:

- 1. Panel width is 996-1303mm
- 2. Panel length is recommended to be ≤ 1800 mm (larger than this size can be installed, but it may bend due to the large span, so please consult the corresponding panel supplier to see if it is allowed)

Bemerkung:

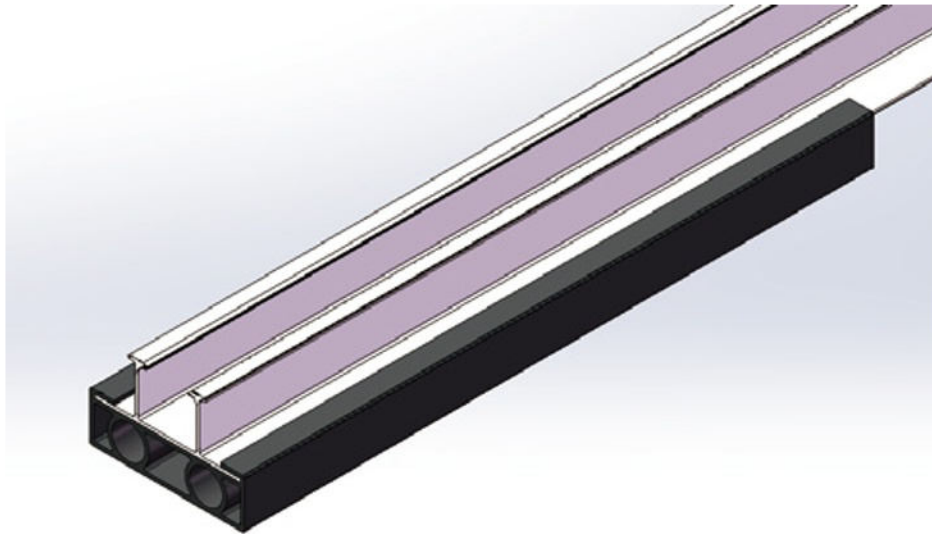
- 1. Anpassung der Plattenbreite: 996–1303 mm
- 2. Die empfohlene Plattenlänge beträgt ≤ 1800 mm (eine größere Platte als diese Größe kann installiert werden, aber die Platte selbst kann sich aufgrund der großen Spannweite verbiegen. Bitte wenden Sie sich an den entsprechenden Plattenlieferanten, um zu erfahren, ob dies zulässig ist.)

1. Locate rail position

1. Schienenposition festlegen

1.1 Install EPDM rubber onto the rail

1.1 EPDM-Gummi auf der Schiene anbringen

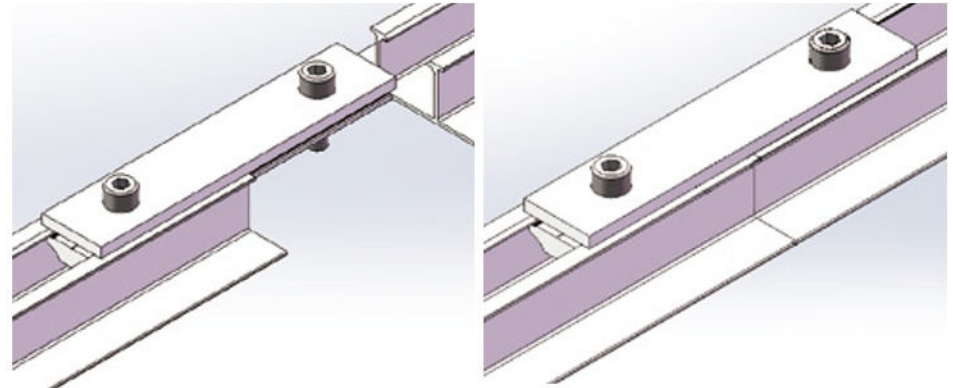


1.2 Locate the rail position as the drawing shows, and mark the rail position after placing it

1.2 Schienenposition gemäß der Zeichnung festlegen und nach dem Platzieren markieren

1.3 Connect the remaining rails through rail connector and place them according to the location in the drawing, then tighten the bolts

1.3 Die restlichen Schienen mit einem Schienenverbinder verbinden und gemäß der Zeichnung platzieren, Schrauben anschließend festziehen



1.4 As shown in the picture after installation

1.4 Wie im Bild nach der Installation gezeigt

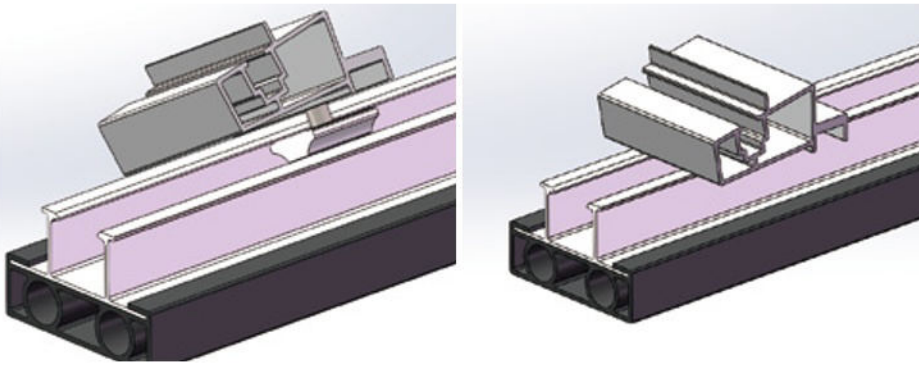


2. Install front/rear leg

2. Vordere/hintere Stütze installieren

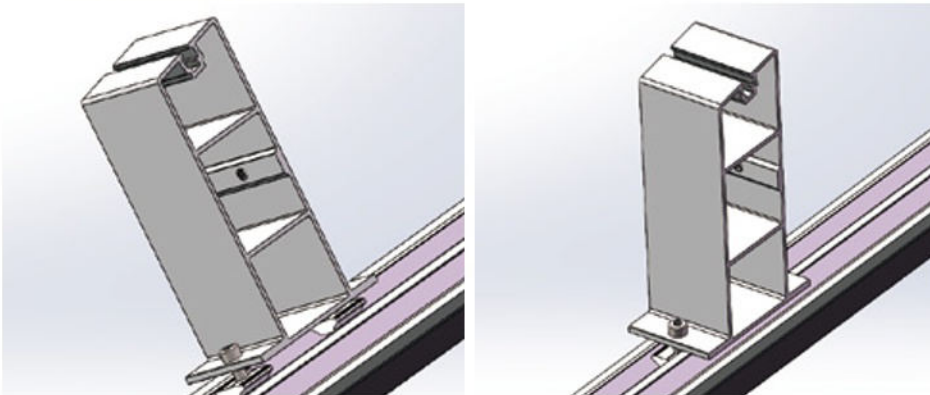
2.1 Place the front leg as the drawing shows, fix the front leg with M8*25 bolts and clamps, then adjust and lock the corresponding bolts

2.1 Vordere Stütze gemäß der Zeichnung platzieren, mit M8*25-Schrauben und Klammern fixieren, dann die entsprechenden Schrauben anziehen und sichern



2.2 Place the rear leg as the drawing shows, fix the rear leg with M8*25 bolts and clamps, then adjust and lock the corresponding bolts

2.2 Hintere Stütze gemäß der Zeichnung platzieren, mit M8*25-Schrauben und Klammern fixieren, dann die entsprechenden Schrauben anziehen und sichern



2.3 Repeat the above steps to install all front and rear legs, making sure that the top surface of the front/rear legs in the same row are at the same height to ensure the normal installation of panels

2.3 Die obigen Schritte wiederholen, um alle vorderen und hinteren Stützen zu installieren, dabei sicherstellen, dass die obere Fläche der Stützen in derselben Reihe auf gleicher Höhe ist, um die ordnungsgemäße Installation der Paneele zu gewährleisten

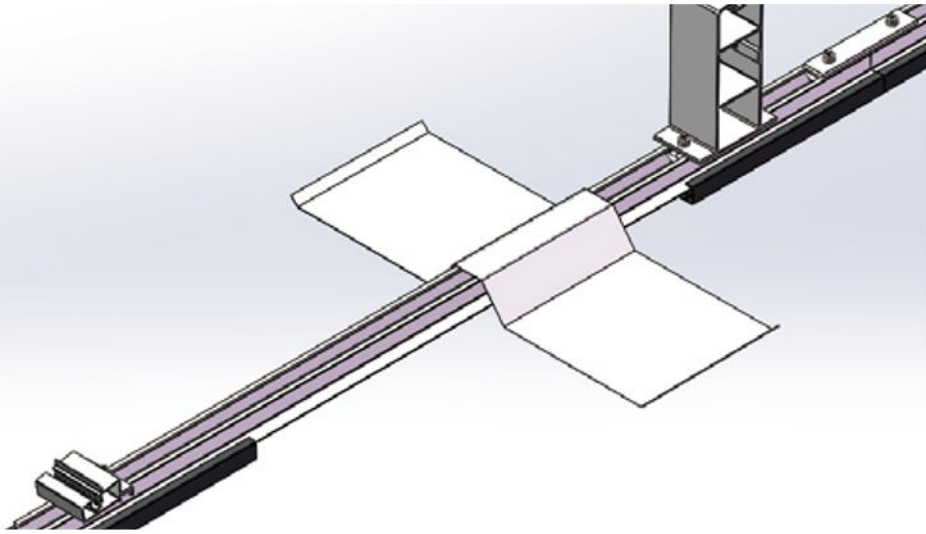


3. Install ballast

3. Ballast installieren

3.1 Place the ballast plate on the rail as the drawing shows

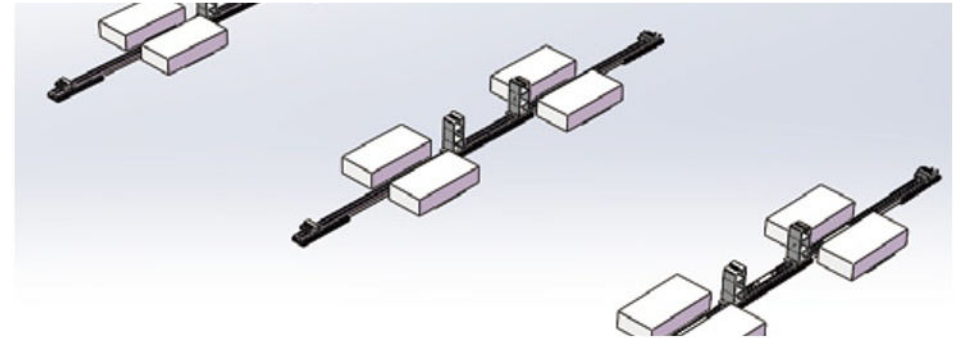
3.1 Ballastplatte gemäß der Zeichnung auf der Schiene platzieren



3.2 Place the ballast on the ballast plate
3.2 Ballast auf der Ballastplatte platzieren

3.3 Repeat the above steps to complete the ballast placement

3.3 Die obigen Schritte wiederholen, um die Ballastplatzierung abzuschließen

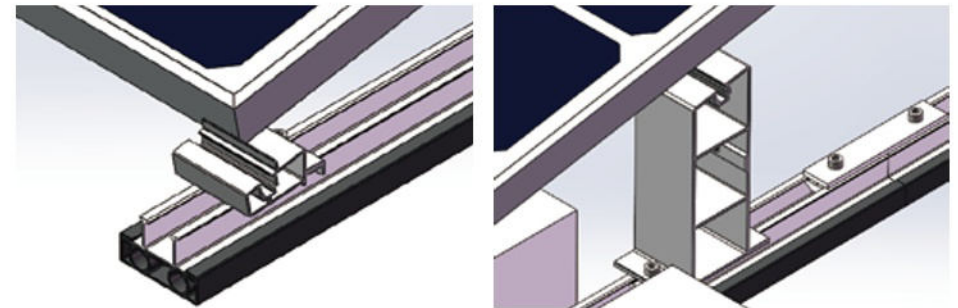
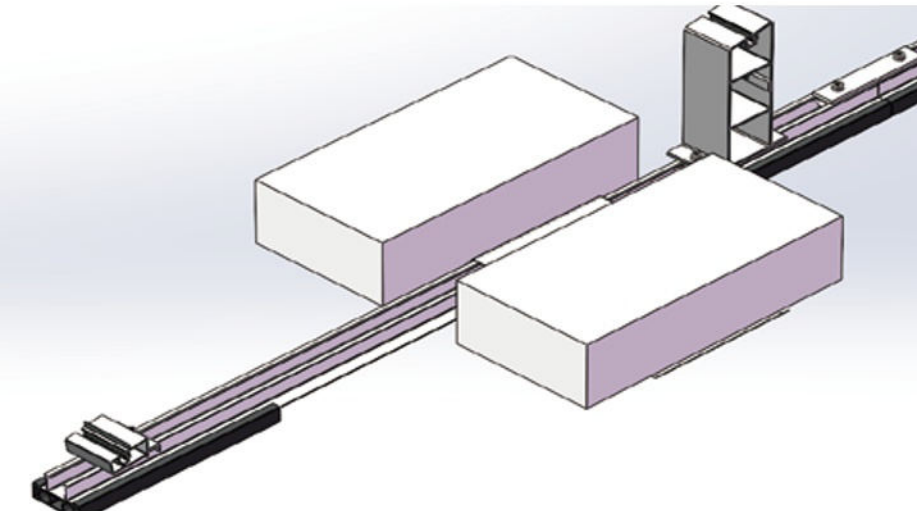


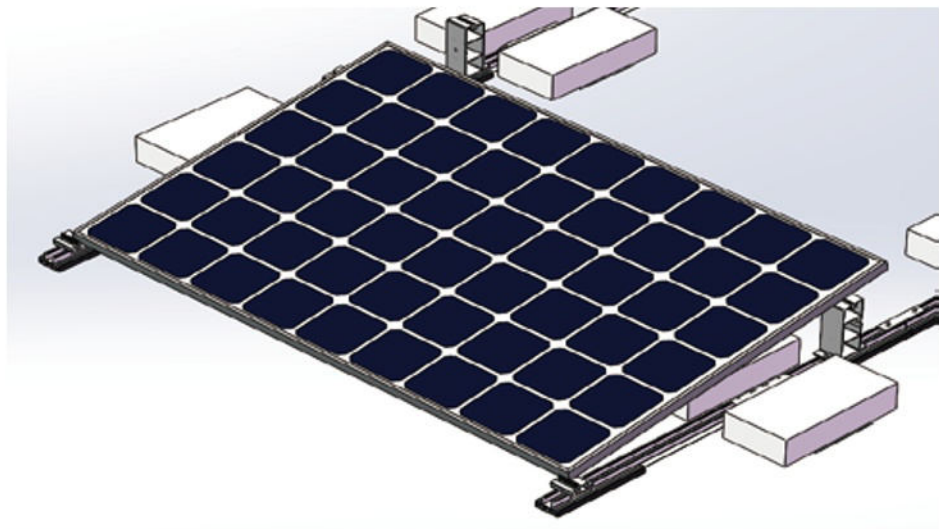
4. Install panel

4. Panel installieren

4.1 Place the panel on the front leg slot and the slope of the rear leg

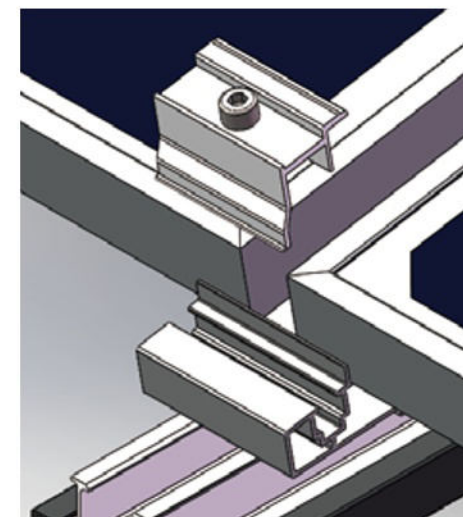
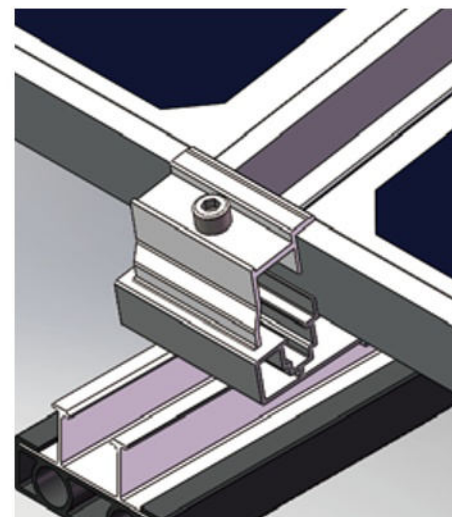
4.1 Das Panel in den Schlitten der vorderen Stütze und den Neigungswinkel der hinteren Stütze einsetzen





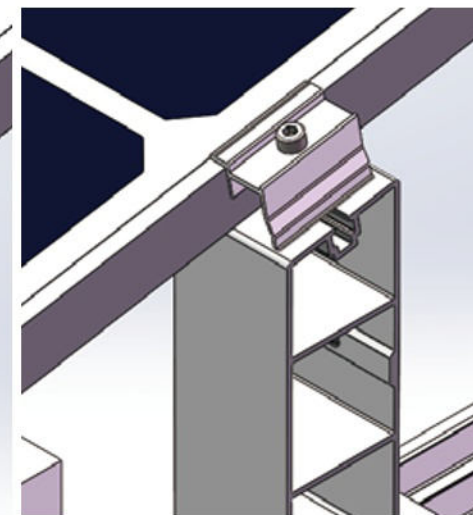
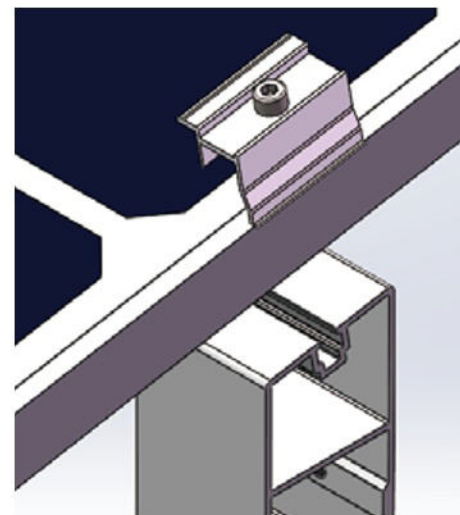
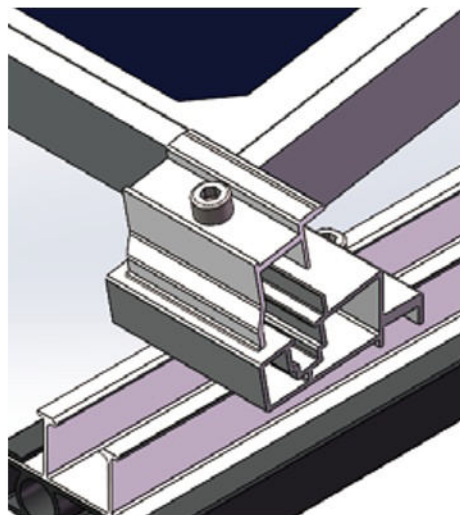
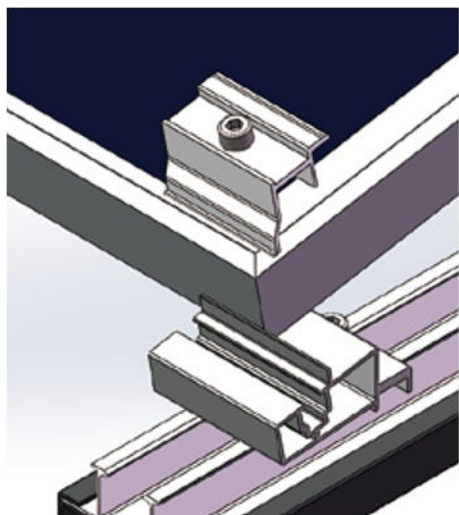
4.2 Bottom clamp installation: press the bottom clamp into the card slot as the picture shows, lock the bolt, and press the panel tightly

4.2 Unterstützklammer installieren: Die Unterstützklammer wie im Bild gezeigt in den Kartenschlitz drücken, die Schraube anziehen und das Panel fest drücken



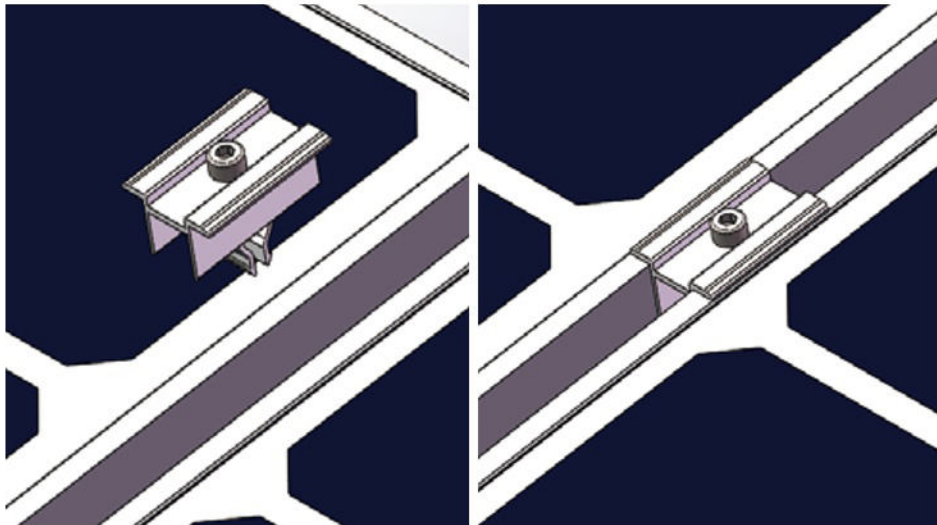
4.3 End clamp installation: press the end clamp into the card slot as the picture shows, lock the bolt, and press the panel tightly

4.3 Endklammer installieren: Die Endklammer wie im Bild gezeigt in den Kartenschlitz drücken, die Schraube anziehen und das Panel fest drücken



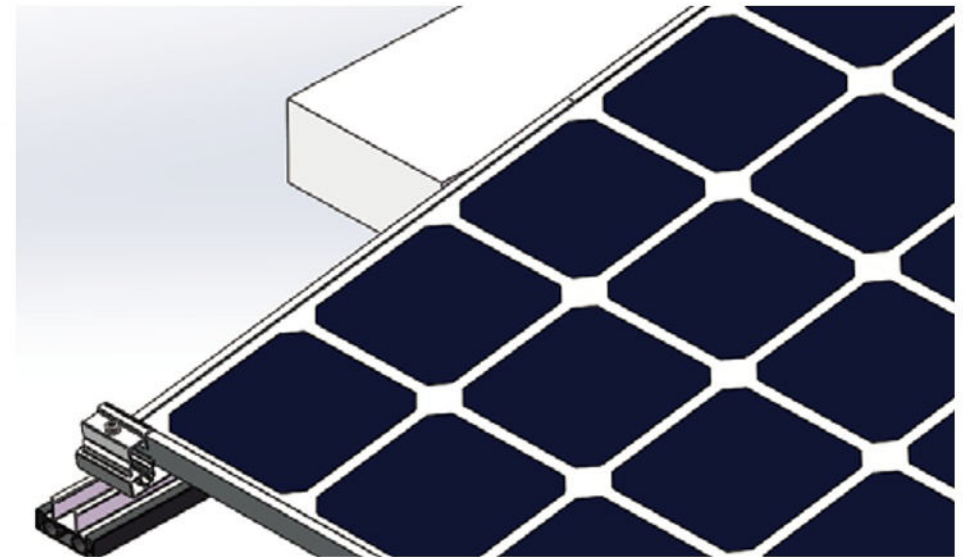
4.4 Inter clamp installation: place the panels in sequence according to the drawing as the picture shows, and place an inter clamp between two panels, then tighten the bolts

4.4 Zwischenklammer installieren: Die Panels gemäß der Zeichnung in Reihenfolge platzieren, eine Zwischenklammer zwischen zwei Panels setzen und dann die Schrauben anziehen



4.5 The remaining end clamp installation: place the panels in sequence according to the drawing as the picture shows, on the other side of the same row of panels, repeat steps 4.2/4.3

4.5 Restliche Endklammer installieren: Die Panels gemäß der Zeichnung in Reihenfolge auf der anderen Seite derselben Panelreihe platzieren und die Schritte 4.2/4.3 wiederholen



5. Complete installation

5. Installation abschließen



Purchaser/End User/Installer Notice:

Purchasers should confirm whether they are able to install this product and obtain relevant permits in accordance with local laws and regulations, including but not limited to government, community, adjacent property owners, and property rights holders.

Purchasers should engage qualified installers, professionals, or self-install only where permitted by law.

Purchasers should also ensure that the installation supports the building or its accessories safely and meets installation requirements, and is sufficient to support the product and its photovoltaic power generation system for over 20 years.

Purchasers should not install or use this product in environments with corrosive air or water, such as acids or alkalis in the vicinity.

Purchasers should fully assess and bear the consequences of product installation and usage and their impact on the surroundings, including but not limited to potential lightning strikes, electrical or magnetic conduction, light reflection/pollution, obstruction of passage, collision with people, snow accumulation and ice shedding, depreciation of buildings, and their consequences.

Purchasers are solely responsible for safety during installation, throughout the installation process, and subsequent usage, and/or any impact on third parties.

After installing the product, purchasers or their appointed installers should carry out waterproof, leak-proof, and anti-seepage construction at the junction of the product and the building to protect the building supporting the product, and conduct periodic inspections and maintenance in the future (at intervals not exceeding 1 year).

Purchasers should be aware that nothing other than the photovoltaic power generation system should be supported on this product, and no additional weight should be placed on the product during installation or subsequent usage, particularly human suspension or leaning. It should not be used for any purpose other than supporting photovoltaic brackets. Purchasers should be aware that nothing other than the photovoltaic power generation battery system should be supported on this product, and no additional weight should be placed on the product during installation or subsequent usage,

particularly human suspension or leaning. It should not be used for any purpose other than supporting photovoltaic brackets.

We shall not be liable for any consequences resulting from failure to comply with local legal requirements and/or failure to follow instructions, warnings, etc., during the installation of this product, nor shall we be liable for any losses to the supporting building or any third party resulting from the installation process or subsequent usage, nor shall we be liable for any multiple installations, disassembly and reuse, or second-hand purchases of this product.