

INSTALLATION MANUAL **INSTALLATIONSANLEITUNG**

Universal Easy Solar Bracket-UV (V4.0)
Universelle einfache Solarhalterung-UV (V4.0)

SC01-EUP010-KS

1. Installation tools

1. Werkzeuge für die Installation



Allen Key 6mm
(M8 Hexagon Socket Screw)
Inbusschlüssel 6mm
(M8 Innensechskantschraube)



Tape
Meßband

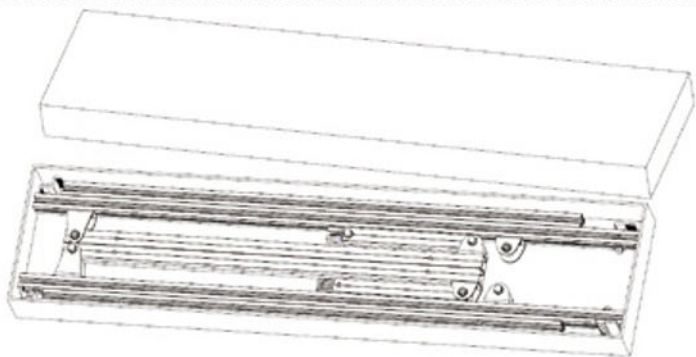


13mm Spanner
13mm Maulschlüssel

2. Packaging and details

2. Verpackung und Details

Packaging and details (Accessories are subject to the actual product)
Verpackung und Details (Zubehör hängt vom tatsächlichen Produkt)



(Please continue reading the content on the back)

☑ x 2



Tripods x2
Stative x2

☑ x 2



Bolt for Inverter
Schrauben für Wechselrichter

☑ x 2



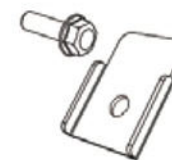
Hooks
Crochets

☑ x 2



Bottom fasteners
Aluminiumklammern für Geländer

☑ x 2



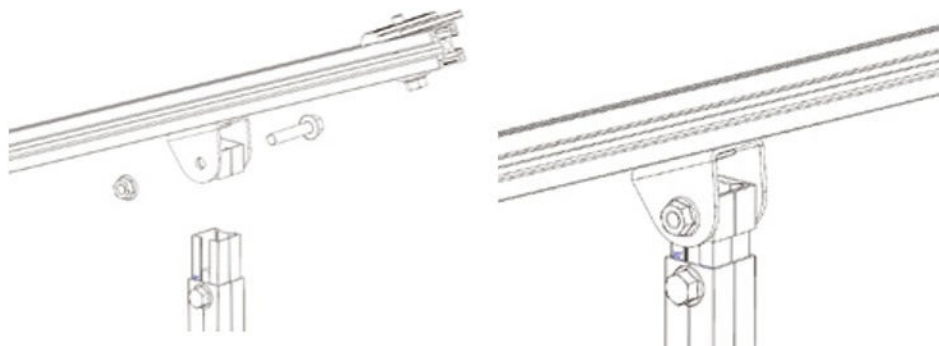
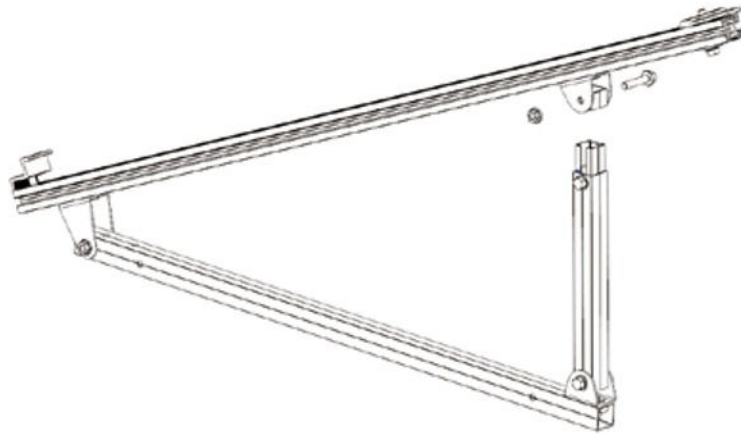
Cover
Abdeckung

3. Installation Instruction

3. Installationsanweisung

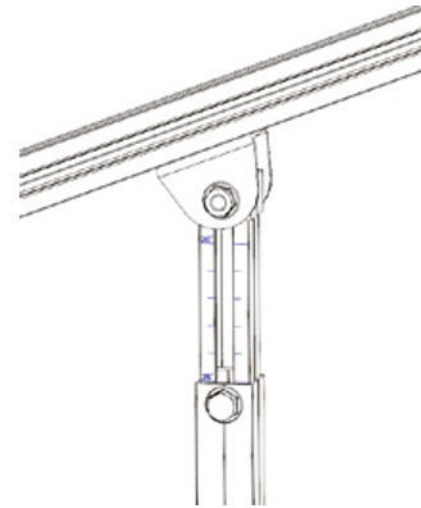
3.1 Take the tripod out and unfold it; Unscrew the bolts at the U-shaped joint and fix the telescopic rod

3.1 Das Stativ herausnehmen und ausklappen; Lösen Sie die Bolzen am U-förmigen Gelenk und befestigen Sie die Teleskopstange



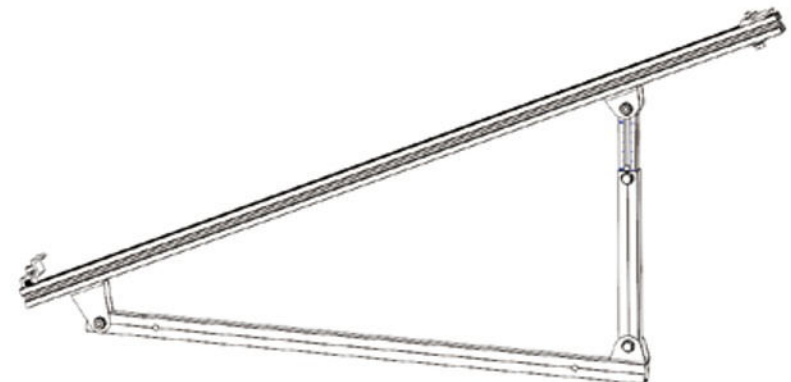
3.2 Adjust the installation angle, loosen the telescopic rod fixing nut, adjust the telescopic rod up and down to the appropriate angle, and then tighten the nut

3.2 Passen Sie den Montagewinkel an, lösen Sie die Befestigungsmutter der Teleskopstange, stellen Sie die Teleskopstange nach oben und unten auf den entsprechenden Winkel ein und ziehen Sie dann die Mutter fest.



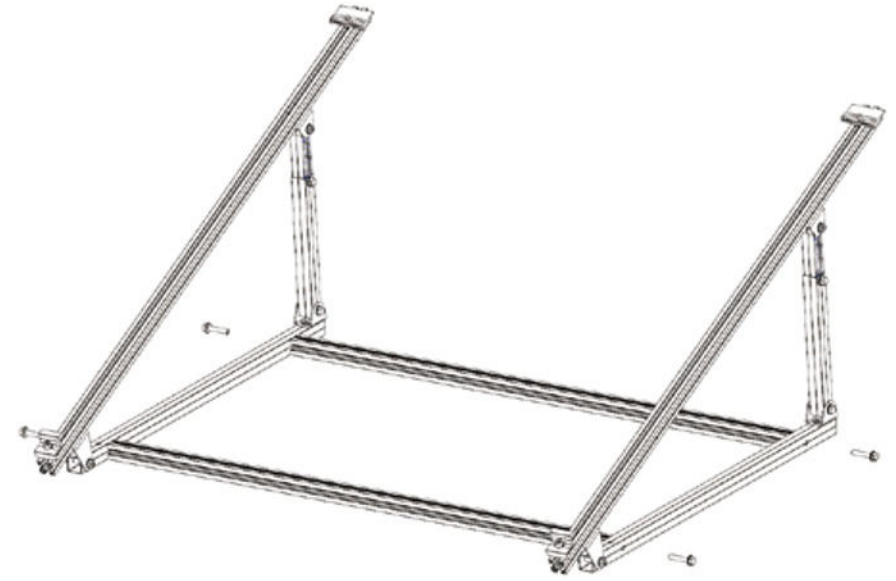
3.3 Tighten the nuts at the other joints to complete the installation of a set of tripods

3.3 Ziehen Sie die Muttern an den anderen Gelenken fest, um die Installation eines Stativsatzes abzuschließen



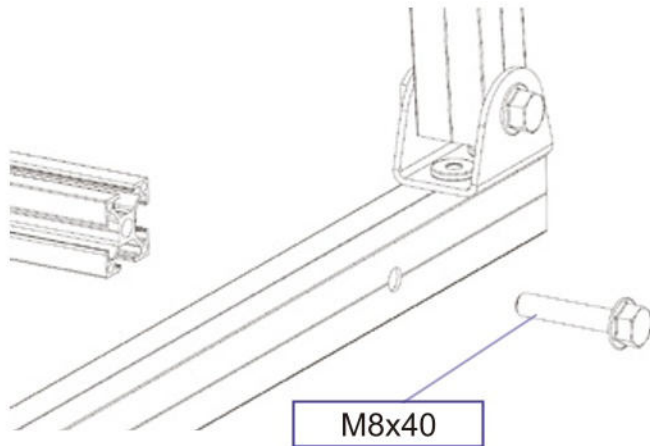
3.4 Repeat steps 3.1-3.3 to assemble another set of tripod

3.4 Wiederholen Sie die Schritte 3.1-3.3, um ein weiteres Stativ zusammenzubauen



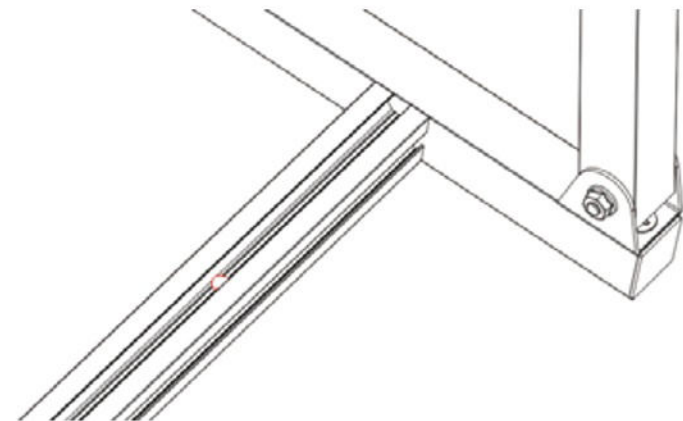
3.5 Install the crossbar

3.5 Montage der Querstange



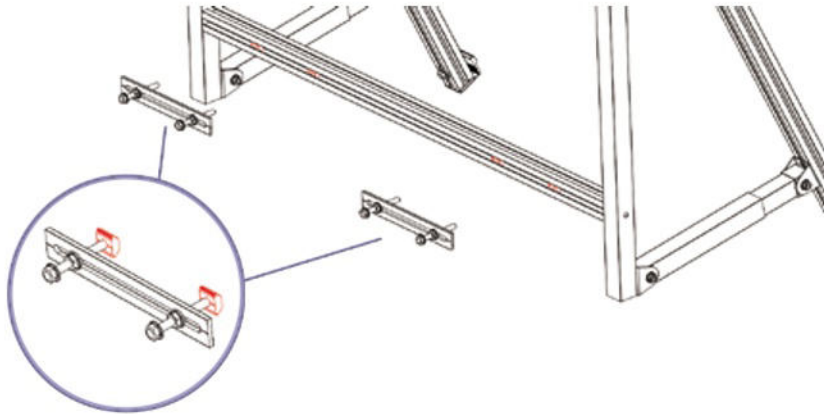
Note 1: The openings on the crossbar need to face up and down, as shown below

Note 1: Die Öffnungen an der Querstange müssen nach oben und unten zeigen, wie unten gezeigt



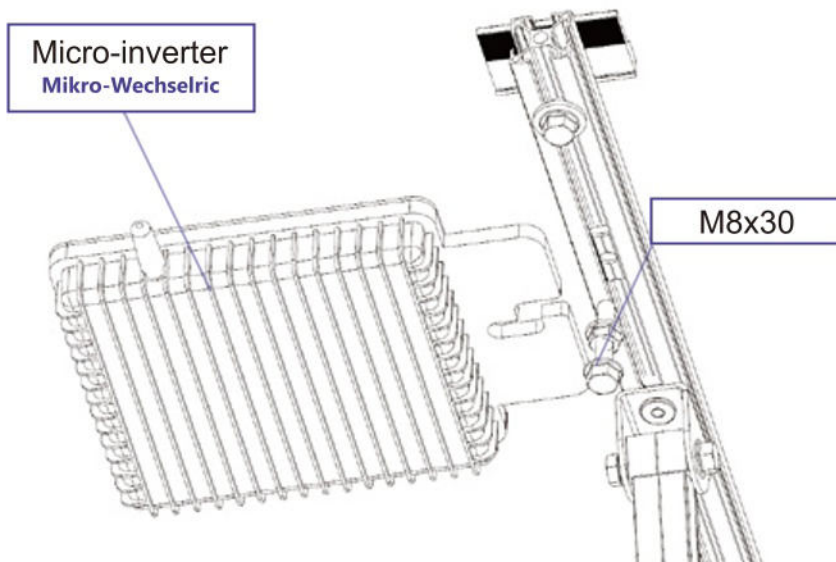
Note 2: If installed on a balcony, this step requires sliding in the balcony fixing block in advance, as shown in the following figure

Note 2: Bei der Montage auf einem Balkon ist für diesen Schritt vorab das Einschleiben des Balkonbefestigungsklotzes erforderlich, wie in der folgenden Abbildung dargestellt

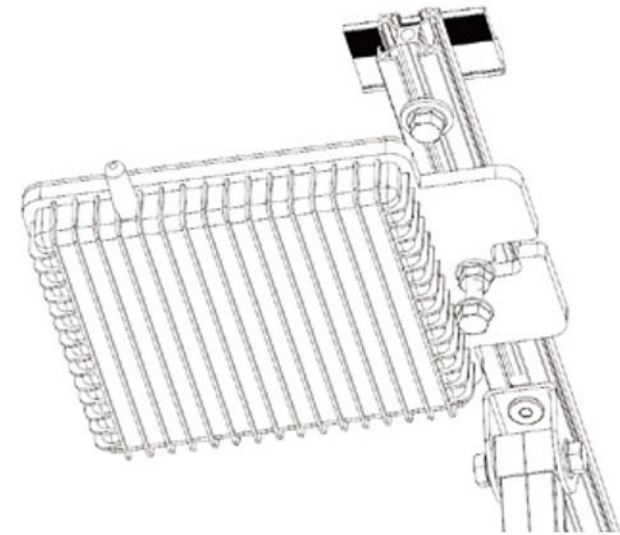


3.6 Install the inverter

3.6 Installation des Wechselrichters



(Please continue reading the content on the back)

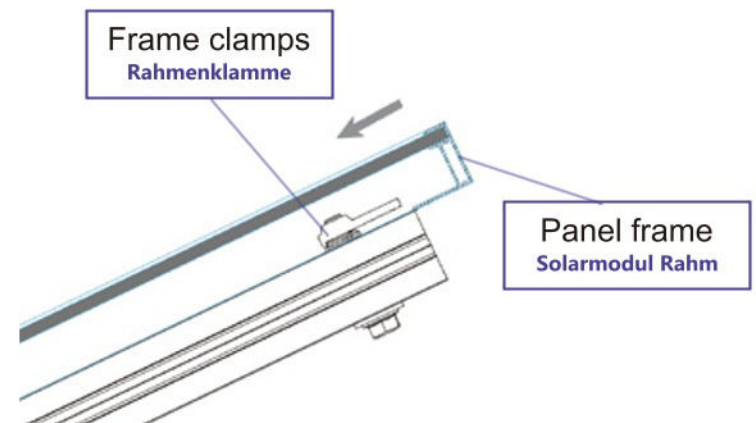


3.7 Install the panel

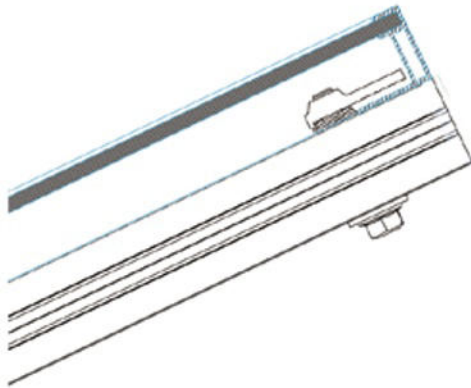
3.7 Montage des Panels

3.7.1 Embed the panel into the frame clamps and tighten them slightly

3.7.1 Legen Sie das Paneel in die Rahmenklammen ein und ziehen Sie diese leicht an

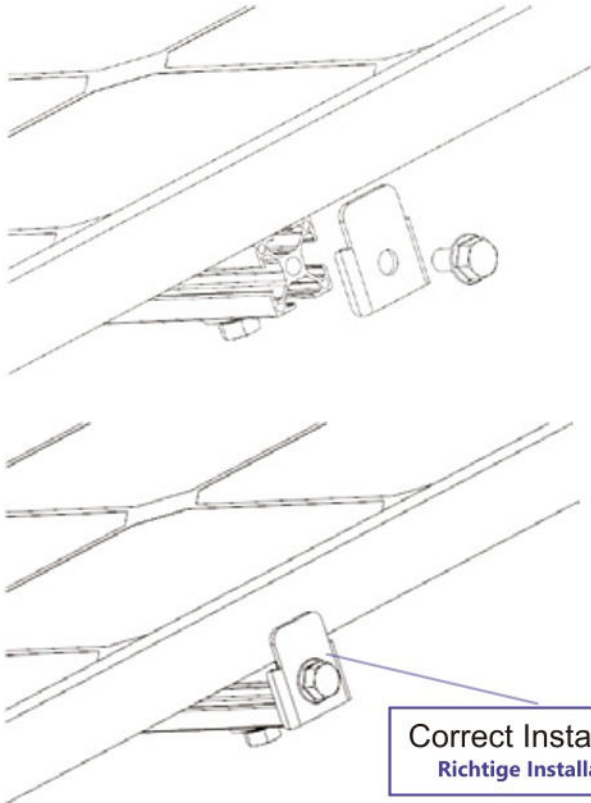


(Please continue reading the content on the back)



3.7.2 Use M8x16 flange bolts to fix the cover

3.7.2 Benutzen Sie M8x16-Flanschbolzen, um die Abdeckung zu befestigen

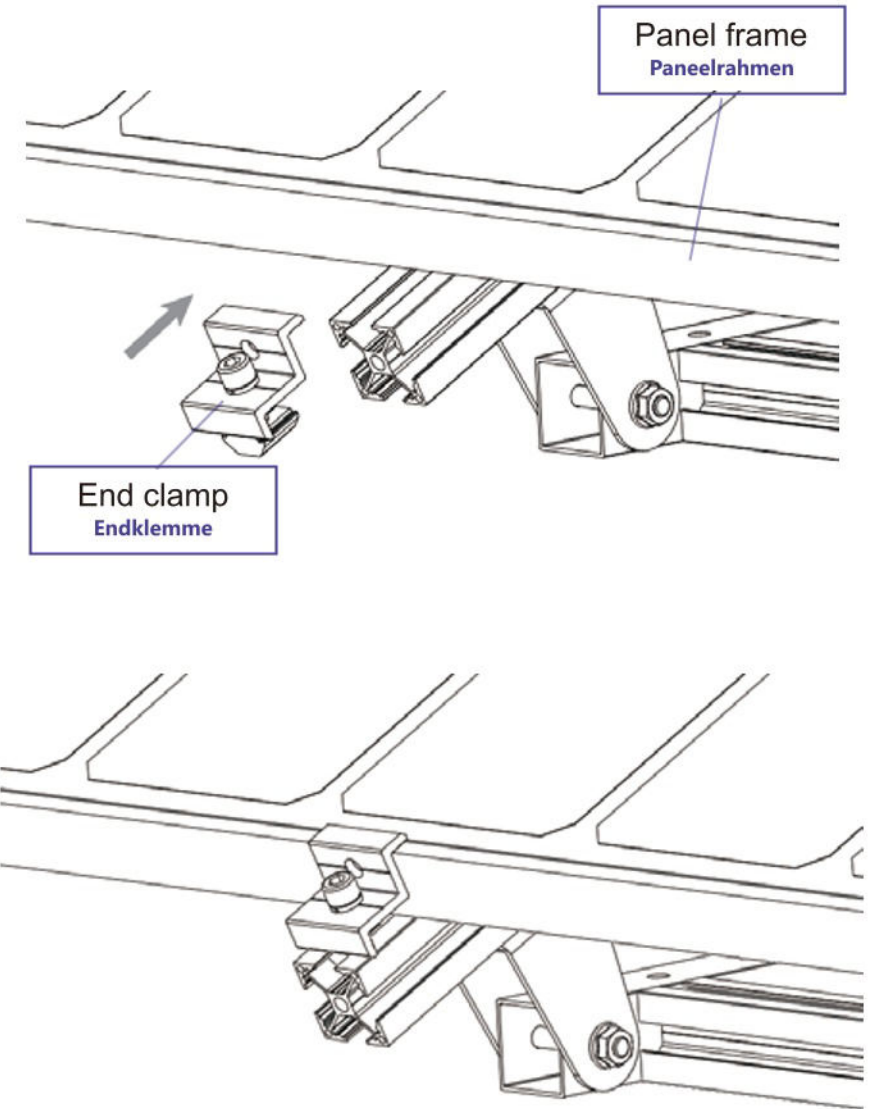


Correct Installation
Richtige Installation

(Please continue reading the content on the back)

3.7.3 Press the panel with the end clamp and tighten them slightly

3.7.3 Drücken Sie das Paneel mit der Endklemme und ziehen Sie diese leicht fest



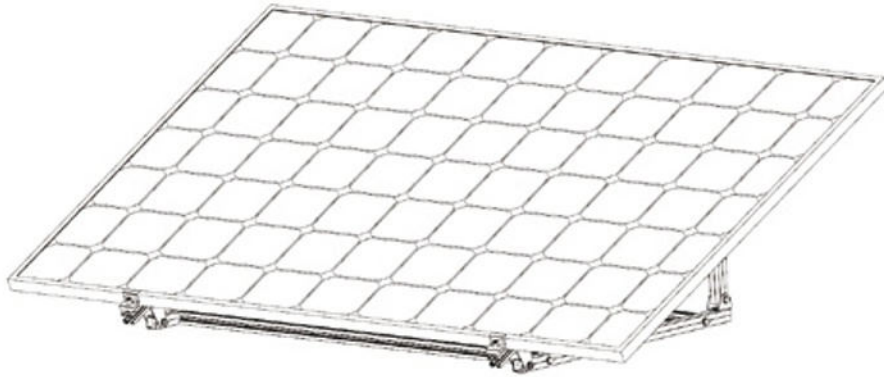
End clamp
Endklemme

Panel frame
Paneelrahmen

(Please continue reading the content on the back)

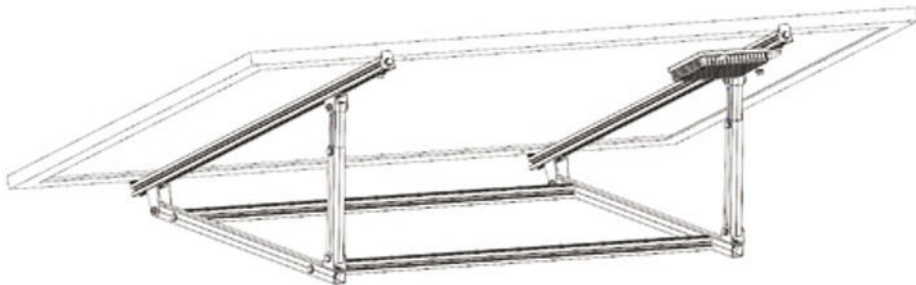
3.74 Adjust the panel to align them properly, then tighten the bolts in steps 3.7.1 and 3.7.2, 3.7.3 Installation is complete, below is the sectional view

3.7.4 Passen Sie das Panel so an, dass es richtig positioniert ist, und ziehen Sie dann die Schrauben gemäß den Schritten 3.7.1, 3.7.2 und 3.7.3 fest. Installation abgeschlossen, unten sehen Sie eine Querschnittsansicht

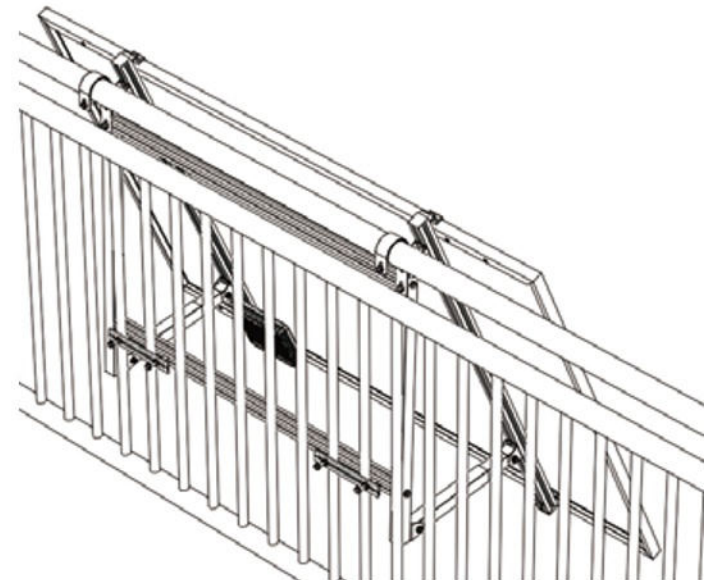
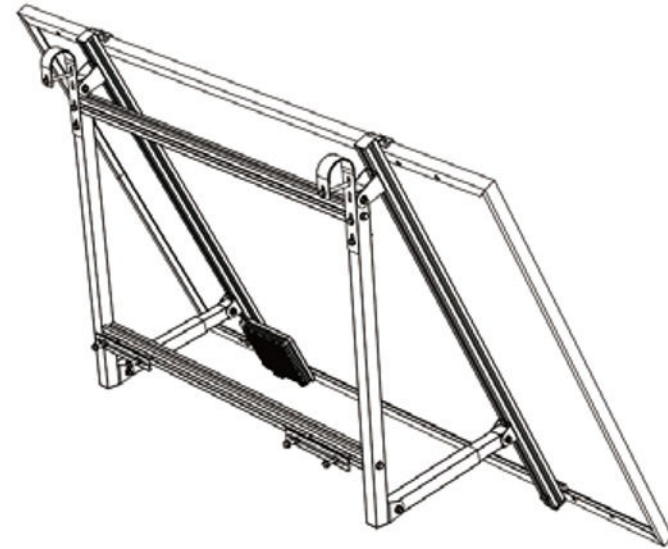


3.8 Place on flat space, and completed installation

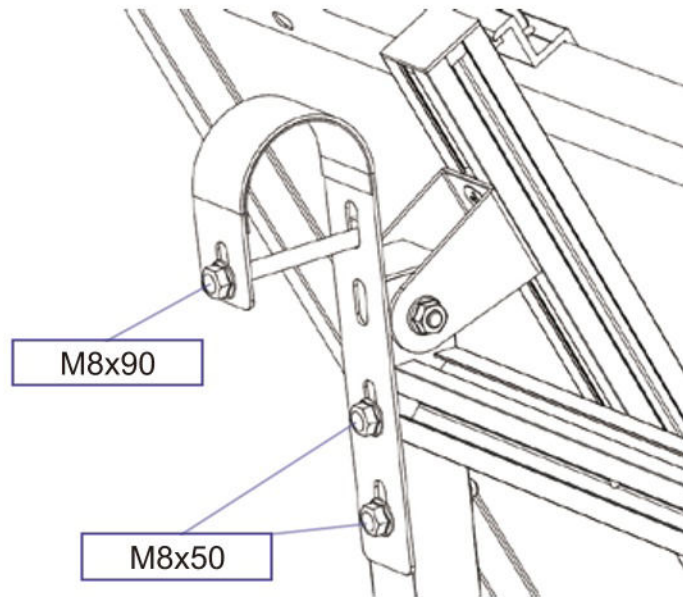
3.8 Auf eine ebene Fläche stellen und fertige Installation



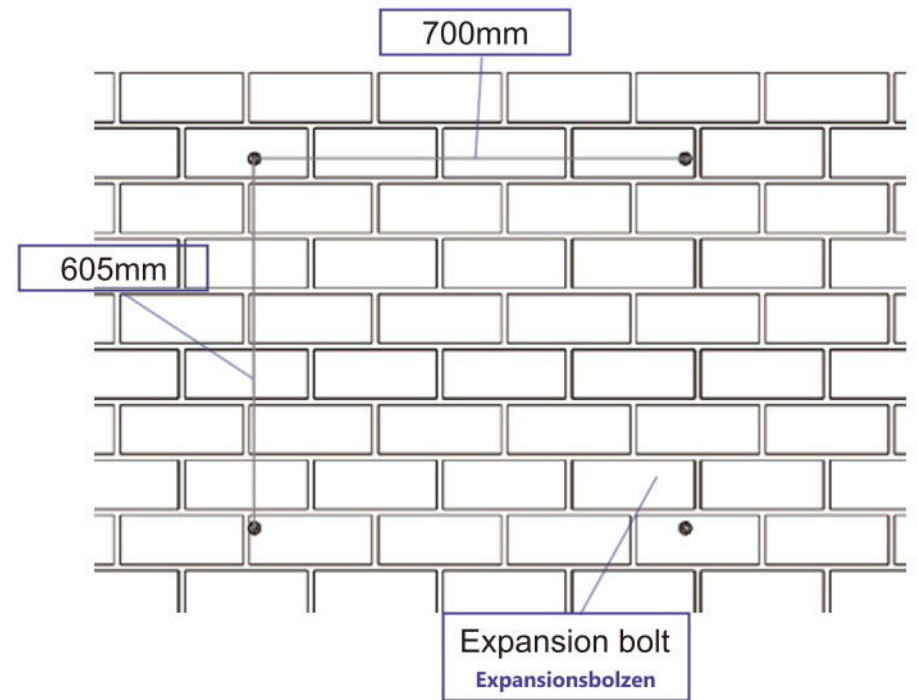
Balcony scene | Balkonszene



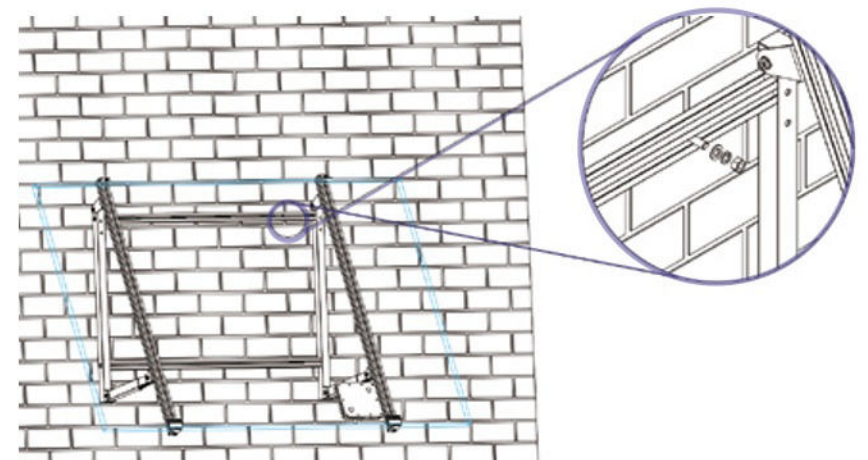
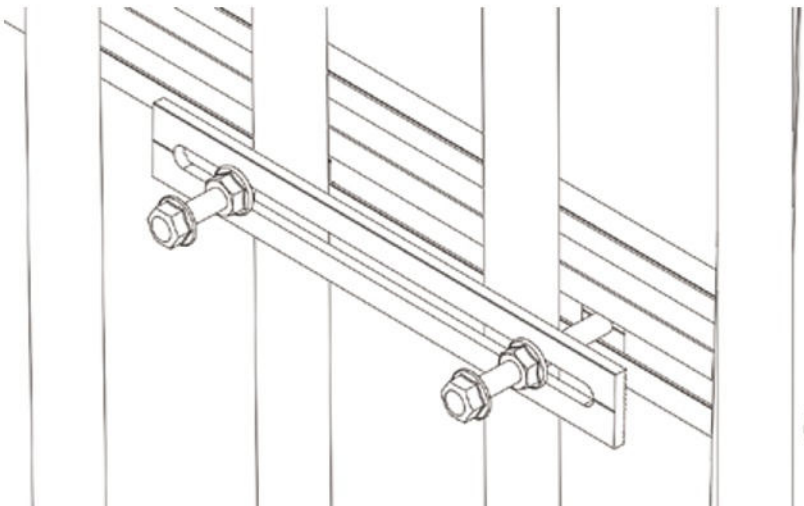
Hook Detail | Hakendetail



Wall scene | Wandszene



Bottom fastener detail | Geländer



Purchaser/End User/Installer Notice:

Purchasers should confirm whether they are able to install this product and obtain relevant permits in accordance with local laws and regulations, including but not limited to government, community, adjacent property owners, and property rights holders.

Purchasers should engage qualified installers, professionals, or self-install only where permitted by law.

Purchasers should also ensure that the installation supports the building or its accessories safely and meets installation requirements, and is sufficient to support the product and its photovoltaic power generation system for over 20 years.

Purchasers should not install or use this product in environments with corrosive air or water, such as acids or alkalis in the vicinity.

Purchasers should fully assess and bear the consequences of product installation and usage and their impact on the surroundings, including but not limited to potential lightning strikes, electrical or magnetic conduction, light reflection/pollution, obstruction of passage, collision with people, snow accumulation and ice shedding, depreciation of buildings, and their consequences.

Purchasers are solely responsible for safety during installation, throughout the installation process, and subsequent usage, and/or any impact on third parties.

After installing the product, purchasers or their appointed installers should carry out waterproof, leak-proof, and anti-seepage construction at the junction of the product and the building to protect the building supporting the product, and conduct periodic inspections and maintenance in the future (at intervals not exceeding 1 year).

Purchasers should be aware that nothing other than the photovoltaic power generation system should be supported on this product, and no additional weight should be placed on the product during installation or subsequent usage, particularly human suspension or leaning. It should not be used for any purpose other than supporting photovoltaic brackets. Purchasers should be aware that nothing other than the photovoltaic power generation battery system should be supported on this product, and no additional weight should be placed on the product during installation or subsequent usage,

particularly human suspension or leaning. It should not be used for any purpose other than supporting photovoltaic brackets.

We shall not be liable for any consequences resulting from failure to comply with local legal requirements and/or failure to follow instructions, warnings, etc., during the installation of this product, nor shall we be liable for any losses to the supporting building or any third party resulting from the installation process or subsequent usage, nor shall we be liable for any multiple installations, disassembly and reuse, or second-hand purchases of this product.